

BBC  
-  
"HABITAT"  
-  
BASE CD

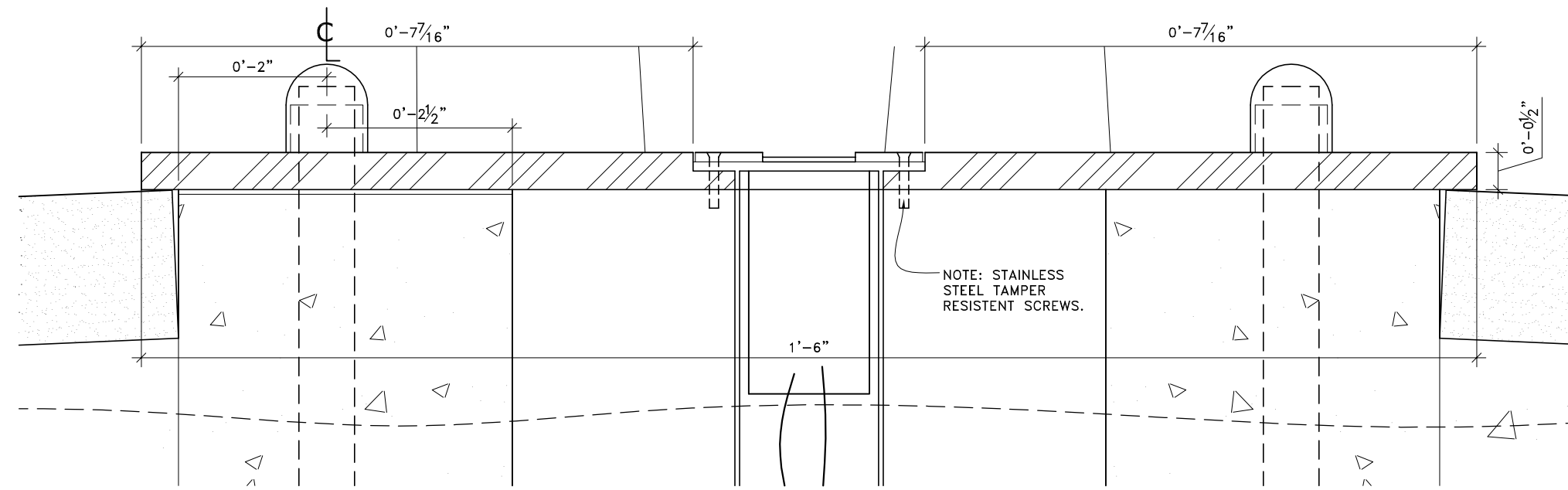
PROGRESS PRINT

**studio2sustain**  
architects consultants environmental evangelists

Susan Israel AIA LEED AP Principal 111 Dane Hill Road Newton MA 02461 617 964 8483 p f 617 276 2490 c susan@studio2sustain.com  
Kathryn Duff RA Principal 412 County Street New Bedford MA 02740 508 999 5145 p 508 999 5183 f kathryn@studio2sustain.com

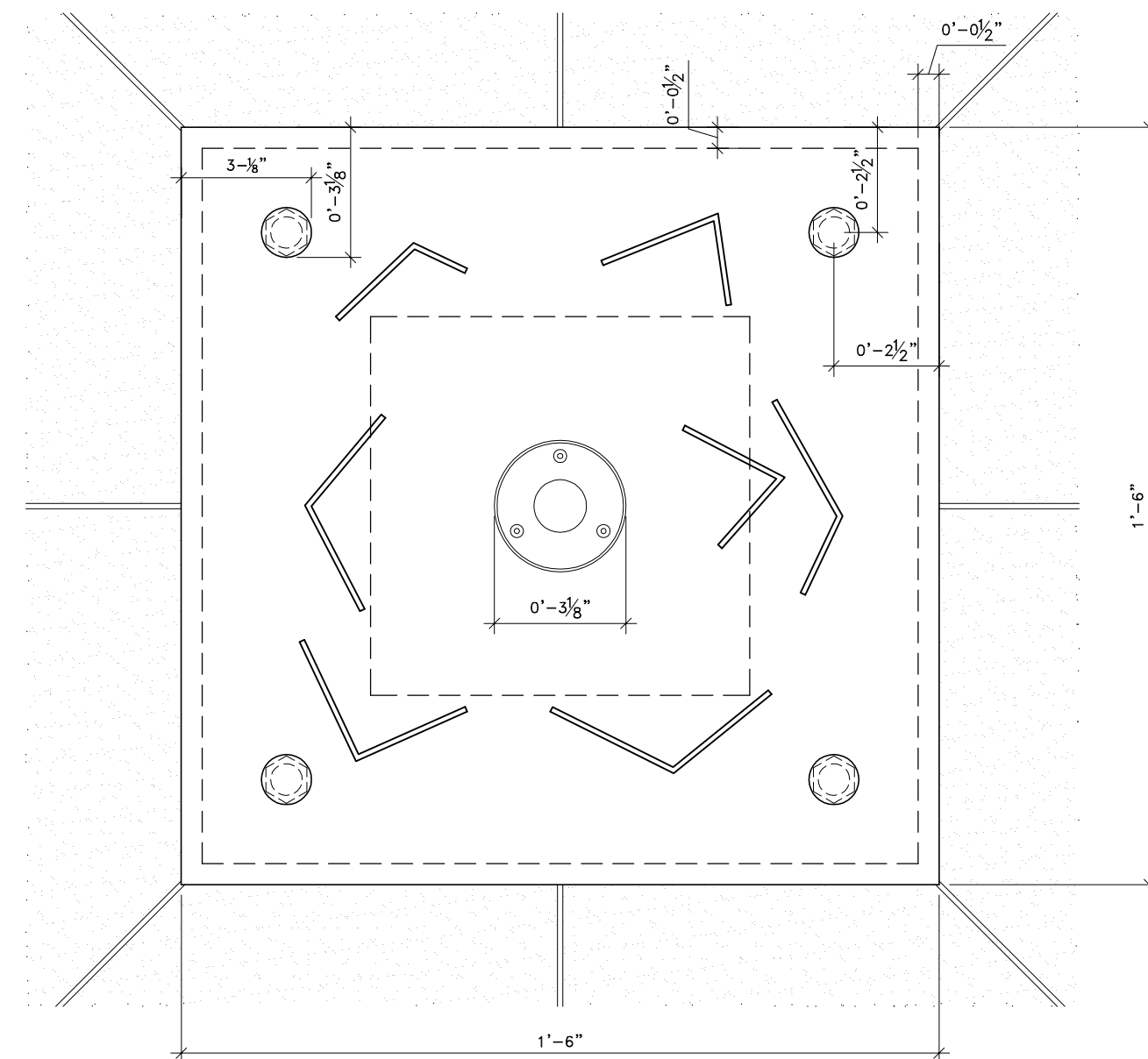
PLAN  
-  
SECTION  
-  
ELEVATION

A 1



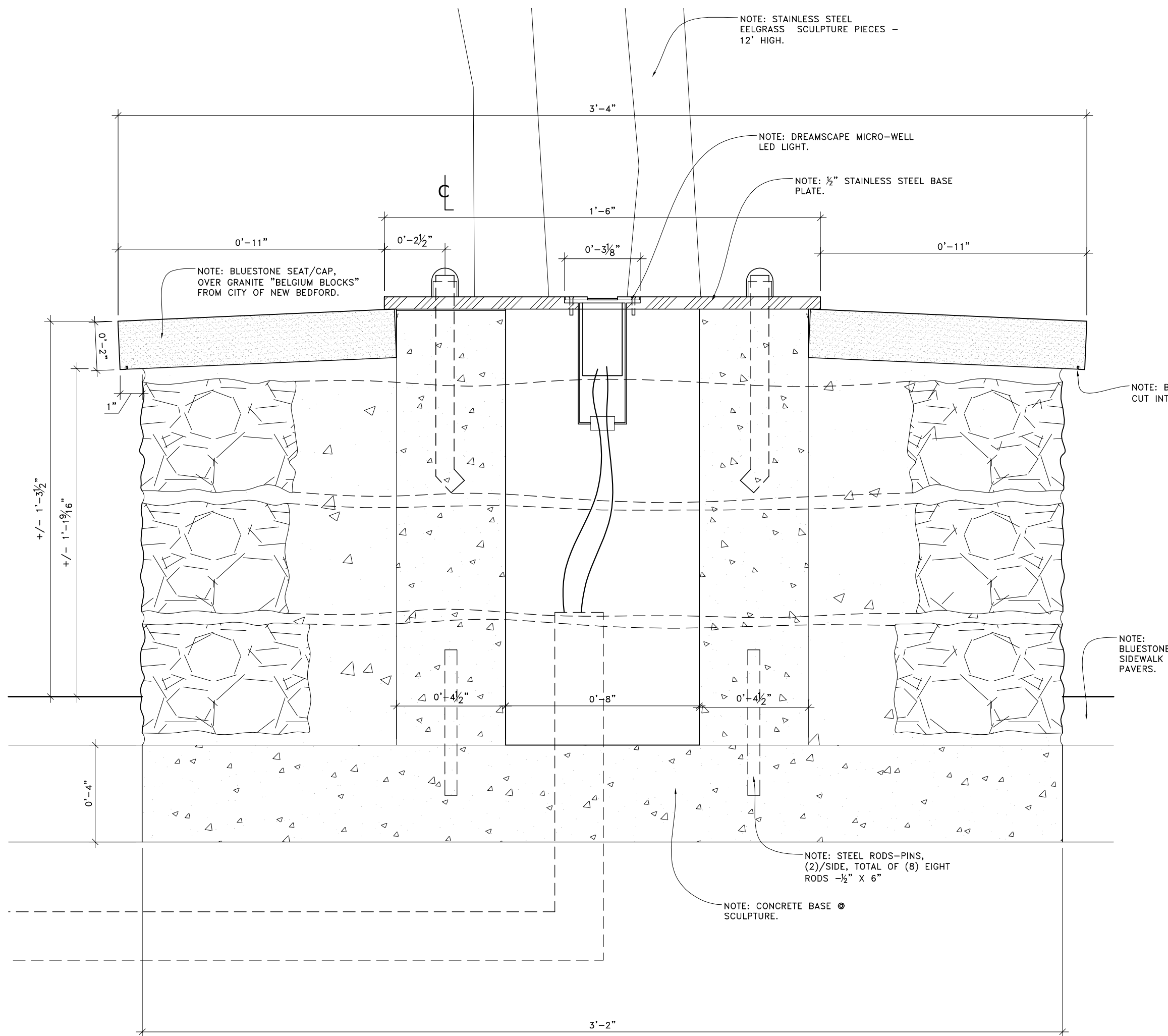
PLAN DETAIL - BBC - "HABITAT" BASEPLATE  
SCALE: 6" = 1'-0"

4  
A-1



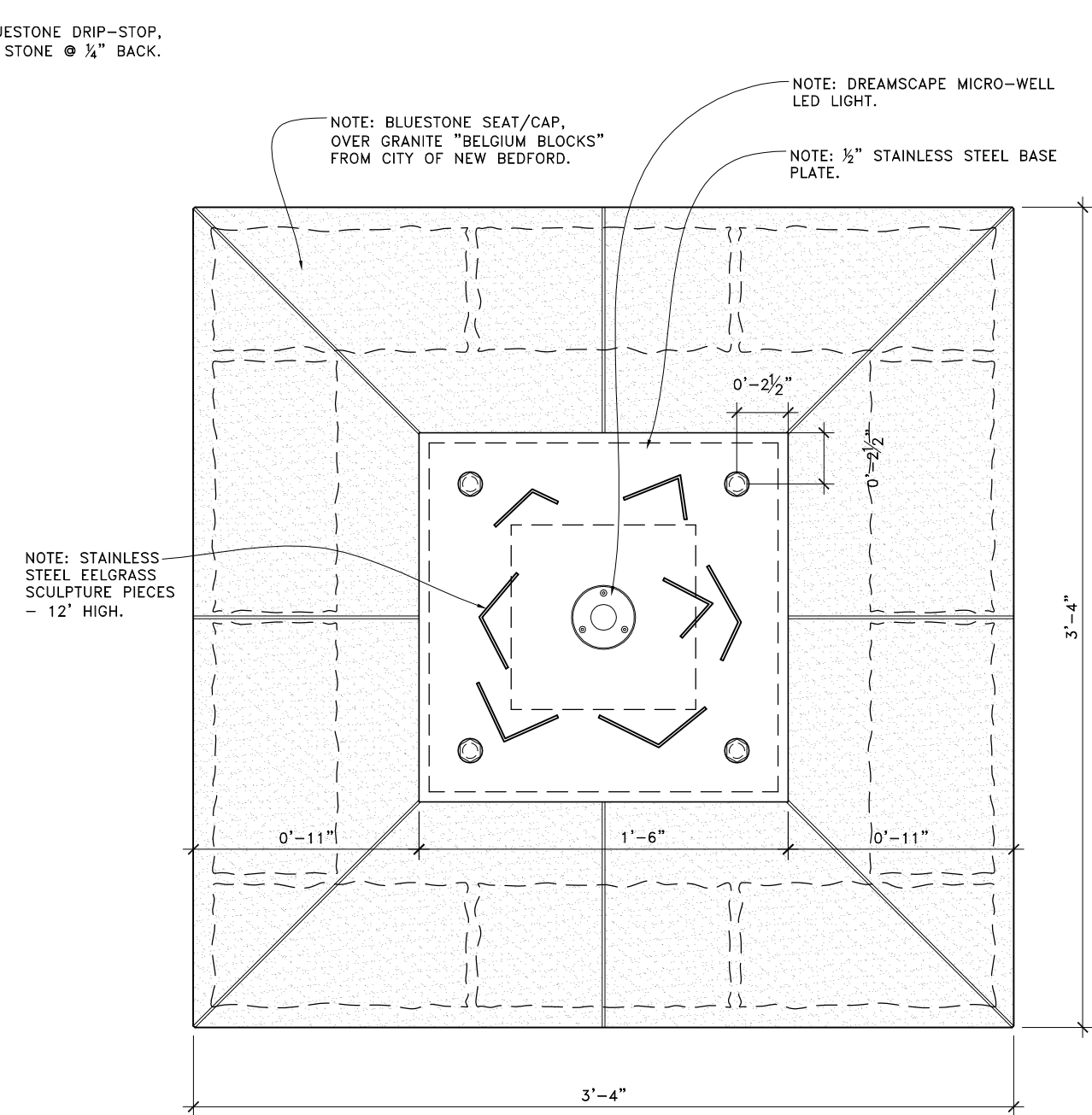
PLAN DETAIL - BBC - "HABITAT" BASE  
SCALE: 3" = 1'-0"

2  
A-1



SECTION - BUZZARDS BAY COALITION - "HABITAT" BASE  
3" = 1'-0"

3  
A-1



PLAN - BBC - "HABITAT" BASE  
SCALE: 1-1/2" = 1'-0"

1  
A-1

